

95 Gallon Bear Proof Roll-Away Cart

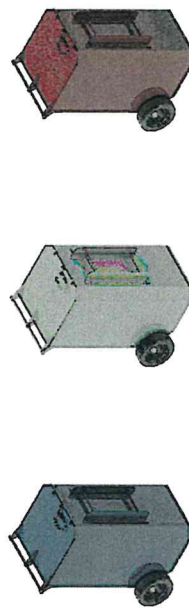
Heavy duty 95 gallon animal resistant receptacle designed for mobile, safe, secure and convenient waste disposal.

Features Include:

1. Locking Hasp with Latch Hook & Cable.
2. Paddle Latch with Safety Release & Cover.
3. Interior Bag Support Tray option.
4. Front Drain, Bottom Drain, or No Drain option.

Made in America with heavy duty $\frac{3}{16}$ " HRS Lift Support and hinges, $\frac{3}{4}$ " Rnd. bar Hinge Pin, Axle and Lif Bars with high quality 14-gauge steel for the main Body and Lid.

Vibrant finish using industry leading UV and corrosion resistant, weather proof powder coat offered in the standard colors shown:



BLUE



GRAY



BURGUNDY



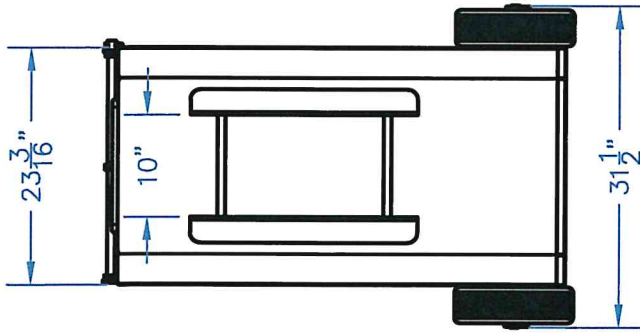
TAN



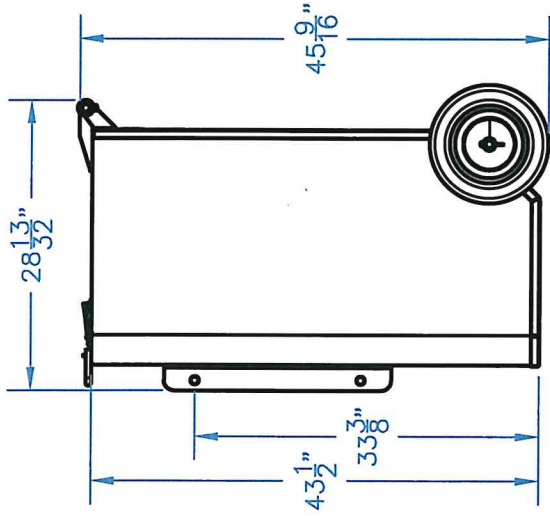
WHITE



BROWN



FRONT VIEW



RIGHT VIEW



ISOMETRIC VIEW

FOREST GREEN

Colorado Correctional Industries
Metal Products Division
Canon City, CO. 81215

PRODUCT: 95 GAL BEAR PROOF ROLL-AWAY CART-BOTT DRAIN-STD

DETAILS: OPTIONAL FRONT/NO DRAIN-NOT SHOWN

DESCRIPTION: **M P B P 9 5 C**

SCALE: 1:16

DATE: 09-22-22

